

PRODUCT DATA SHEET

CLEARWATER[®]

Interiors

PRODUCT CODE

TPEBTF150WM



RANGE

The Perth

DESCRIPTION

The Perth Freestanding Bath Integrated Overflow 1500 x 736 x 507mm White Matt

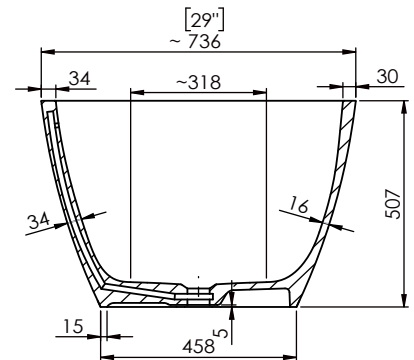
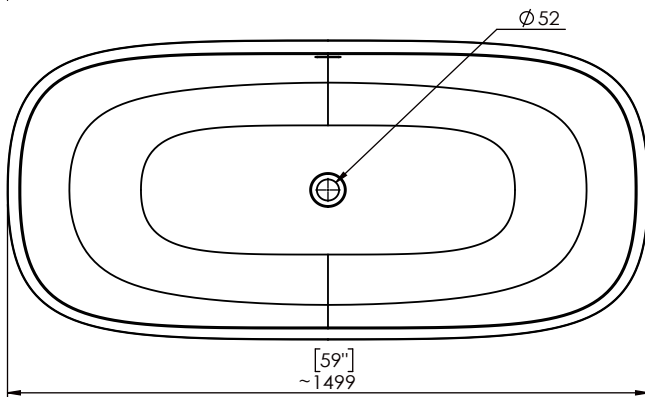
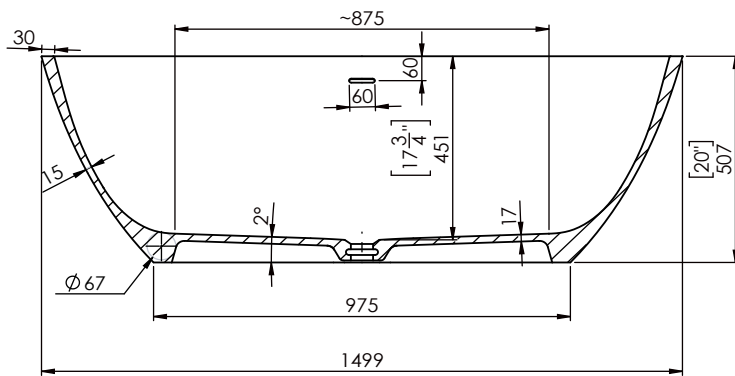
CATEGORY	Baths
WARRANTY DETAILS	10 Years
COLOUR	White Matt
FINISH APPLICATION	Gelcoat/Nanocoat
PRIMARY MATERIAL	Dolomite
SECONDARY MATERIAL	Stone Resin
INSTALL TYPE	Freestanding
PRODUCT WIDTH MM	736
PRODUCT HEIGHT MM	507
PRODUCT LENGTH MM	1500
PRODUCT NET WEIGHT KG	109.27
STANDARDS	EN 14516:2006+A1:2010

WEIGHT AT CAPACITY 1 (KG)	350.27
BUILT IN OVERFLOW	Yes
WASTE DIAMETER	52
CAPACITY 1 (L) - WATER AT OVERFLOW LEVEL BATHS	241

TECHNICAL DIMENSIONS

Dimensions in mm unless otherwise specified.

Tolerances (per material type) apply.



SPARES LIST

Only the parts labelled are available as spares.

SPARES AVAILABLE UPON REQUEST