

PRODUCT DATA SHEET

CLEARWATER[®]

Interiors

PRODUCT CODE

TASBTF170WM



RANGE

The Asher

DESCRIPTION

The Asher Freestanding Bath Integrated Overflow 1700 x 800 x 610mm White Matt

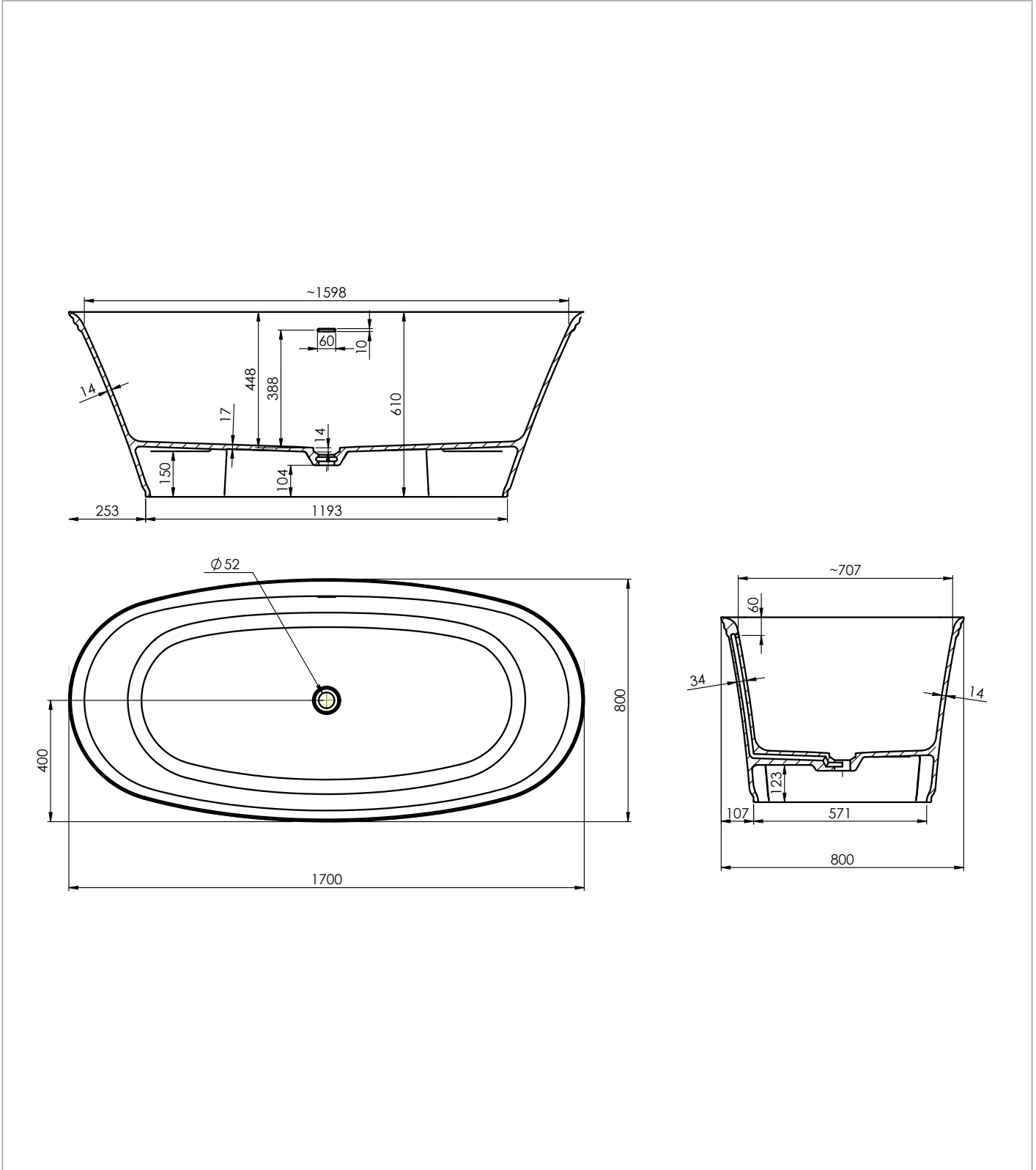
CATEGORY	Baths
WARRANTY DETAILS	10 Years
COLOUR	White Matt
FINISH APPLICATION	Gelcoat/Nanocoat
PRIMARY MATERIAL	Dolomite
SECONDARY MATERIAL	Stone Resin
INSTALL TYPE	Freestanding
PRODUCT WIDTH MM	800
PRODUCT HEIGHT MM	610
PRODUCT LENGTH MM	1700
PRODUCT NET WEIGHT KG	110.4
STANDARDS	EN 14516:2006+A1:2010

WEIGHT AT CAPACITY 1 (KG)	400.54
BUILT IN OVERFLOW	Yes
WASTE DIAMETER	52
CAPACITY 1 (L) - WATER AT OVERFLOW LEVEL BATHS	290

TECHNICAL DIMENSIONS

Dimensions in mm unless otherwise specified.

Tolerances (per material type) apply.



SPARES LIST

Only the parts labelled are available as spares.

SPARES AVAILABLE UPON REQUEST