

PRODUCT DATA SHEET

CLEARWATER[®]

Interiors

PRODUCT CODE

TNABTF168WM

RANGE

The Nahla

DESCRIPTION

The Nahla Freestanding Bath 1687 x 734 x 705mm White Matt



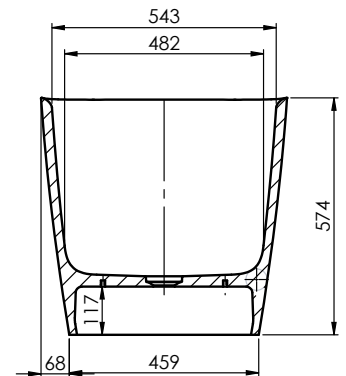
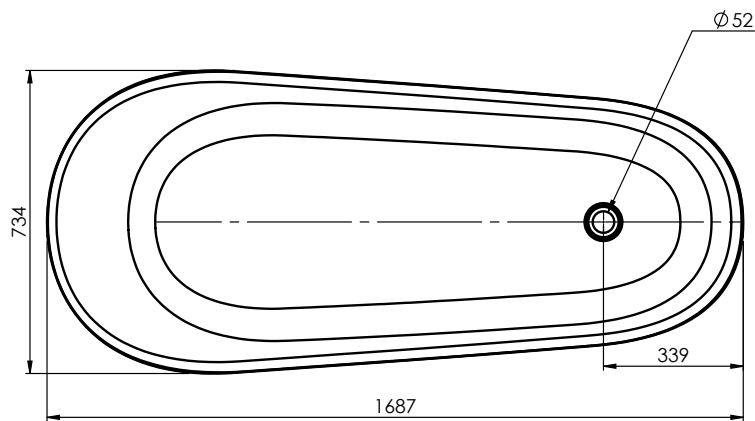
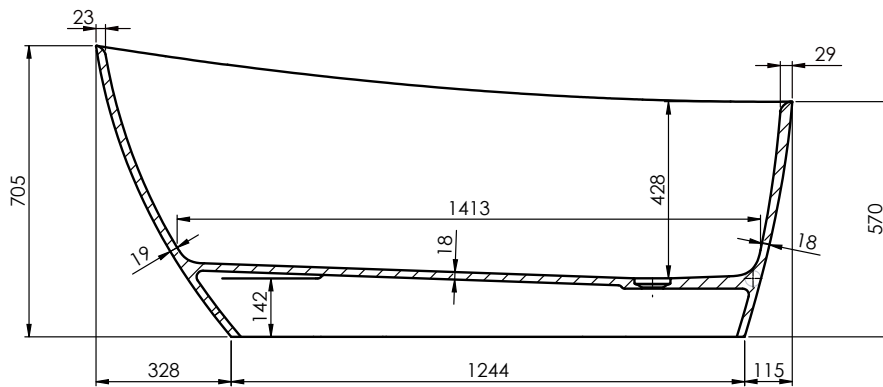
CATEGORY	Baths
WARRANTY DETAILS	10 Years
COLOUR	White Matt
FINISH APPLICATION	Gelcoat/Nanocoat
PRIMARY MATERIAL	Dolomite
SECONDARY MATERIAL	Stone Resin
INSTALL TYPE	Freestanding
PRODUCT WIDTH MM	734
PRODUCT HEIGHT MM	705
PRODUCT LENGTH MM	1687
PRODUCT NET WEIGHT KG	127.02
STANDARDS	EN 14516:2006+A1:2010

WEIGHT AT CAPACITY 1 (KG)	423.02
BUILT IN OVERFLOW	Yes
WASTE DIAMETER	52
CAPACITY 1 (L) - WATER AT OVERFLOW LEVEL BATHS	296

TECHNICAL DIMENSIONS

Dimensions in mm unless otherwise specified.

Tolerances (per material type) apply.



SPARES LIST

Only the parts labelled are available as spares.

SPARES AVAILABLE UPON REQUEST