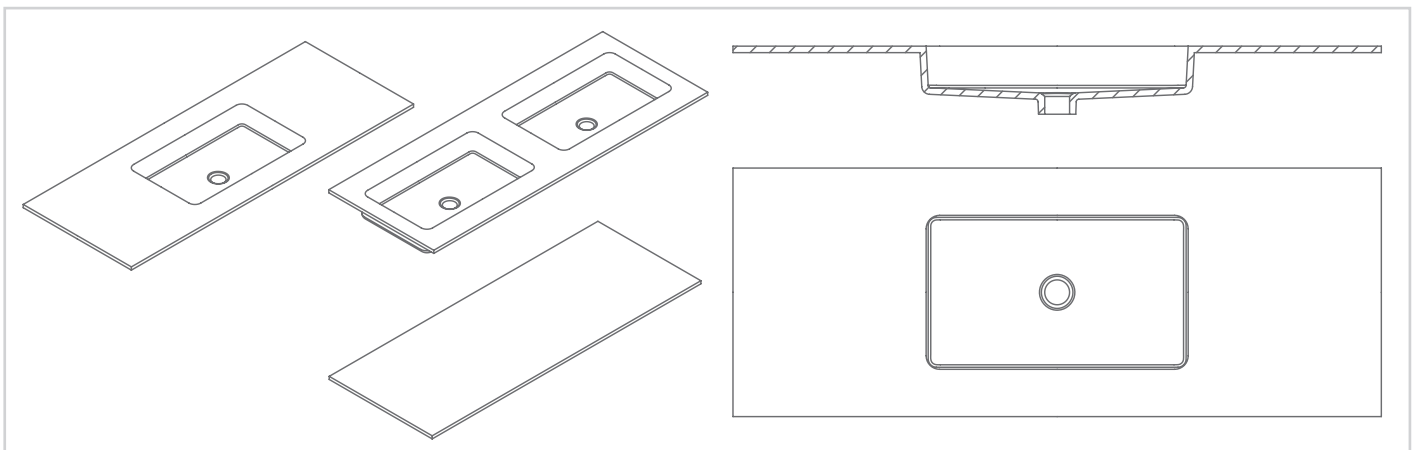
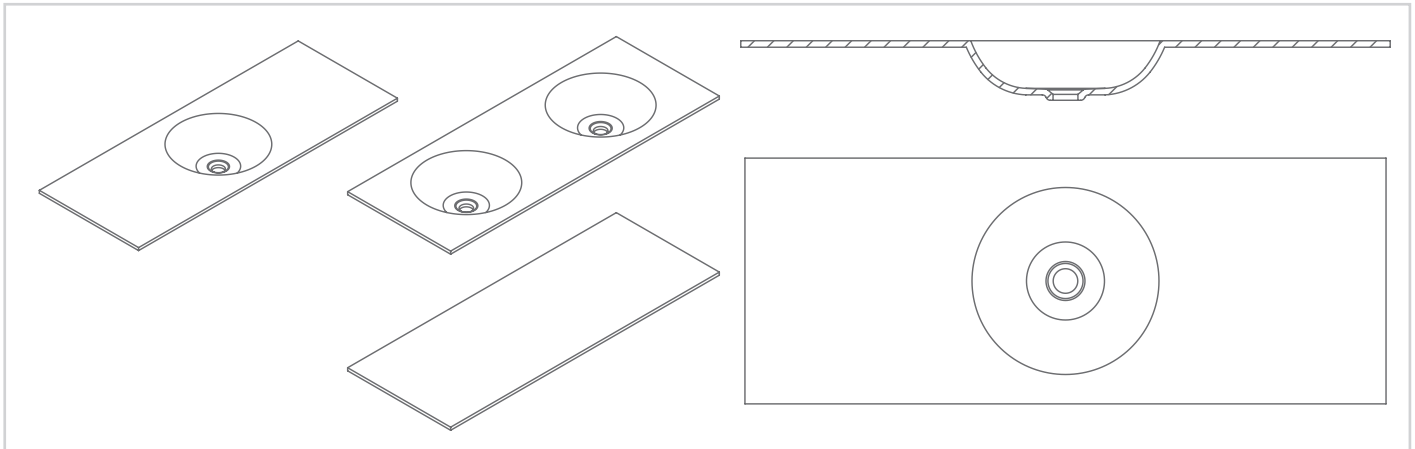


THE ANARA

Solid surface countertop basins



IMPORTANT INFORMATION BEFORE YOU START

Please read carefully and keep this information for further reference.

Thank you for buying a Clearwater Product. To ensure that it works to its full potential, it needs to be fitted correctly. Check the contents of the pack carefully before installation.

Bathroom Brands will not be held responsible for any de-fit/ re-fit costs where faulty product has been fitted. If any fault is found with materials or workmanship, it must be reported immediately to the manufacturer. Remedial action will be taken, based on information received, on condition that:

1. Full details are supplied to the manufacturer.
2. The product has not been modified or tampered with;
3. The manufacturer is informed of any damage/shortages prior to installation.
4. The product has not been installed, or attempts have been made to install.

We do not accept responsibility for any problems that may occur through incorrect installation. This product should only be installed by a suitably qualified plumber/installer.

Should the installation be completed by a non-qualified person any product guarantee maybe considered invalid. For a claim made under our warranty, written certification of your installer's qualifications may be required.




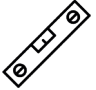

BEFORE YOU START

Thoroughly inspect the countertop and sink prior to installation to ensure there are no cracks, chips or visible damage. Confirm that all items required for installation are included in the kit.

Take accurate measurements of the area where the countertop with sink will be installed to ensure a perfect fit. Make sure that the measurements are compatible with the dimensions of the worktop and washbasin before proceeding with the installation.

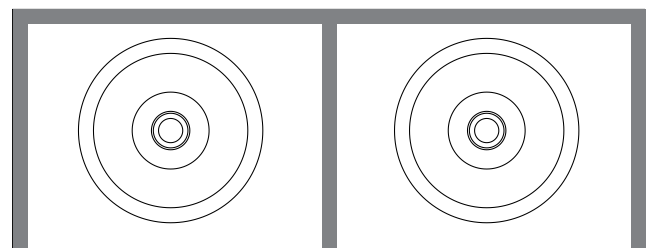
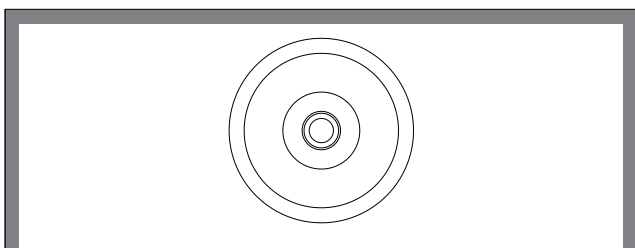
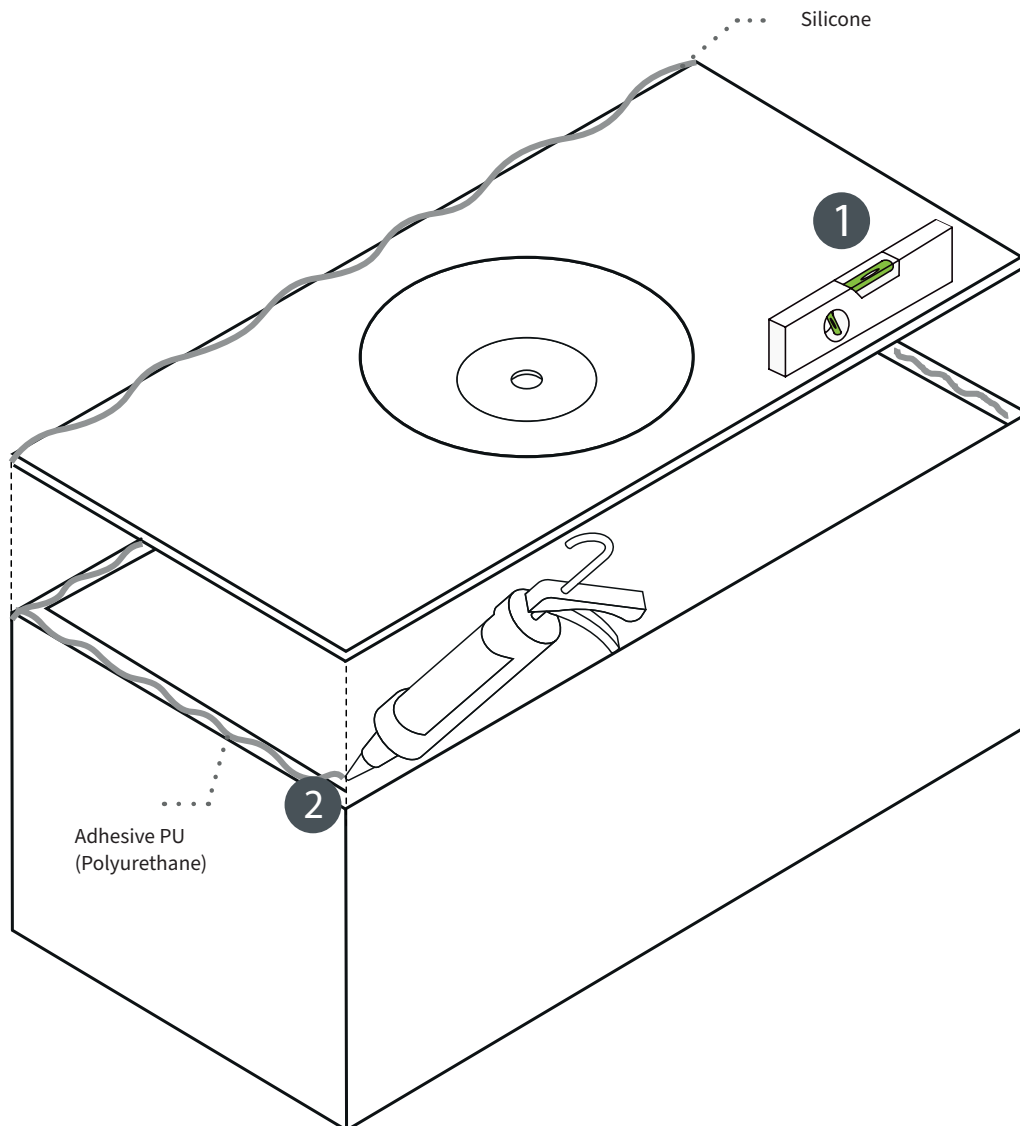
Make sure that the surface where the countertop will be placed is level, clean and free of any debris. Check the location of the water and drainage outlets, making sure that they are correctly aligned with the sink connections.

Tools Required (not supplied):

Silicone and Adhesive PU (Polyurethane)		Gloves	
Measuring Tape		Spirit Level	
Safety Glasses			

INSTALLATION

1



To preserve the integrity of the product and prevent possible deformation, it is advisable to support the product in the shaded areas highlighted in the attached images above. These specific areas provide the optimal support necessary to prevent the product from bending or damage.

CARE & MAINTENANCE

Pay special attention to the product installation as any cement or mortar residue may damage it. In order to remove them, use a specific cement cleaner. Avoid rubbing the surface directly to avoid scratching it.

After every use, clean with water and ensure a good ventilation of the bathroom. For the routine cleaning, use water, liquid cleaners and soft cloths or non-abrasive sponges. Never use scourers or abrasive substances as they can damage the surface. Don't mix different cleaning products.

In order to remove limescale residues, use an antiscaling product following these steps:

1. - Apply the antiscaling product with the help of a damp cloth over the entire surface.
2. - Leave the product to act for 15 minutes, then rinse thoroughly.

If stains persist, after cleaning with soap and water, use cleaning vinegar diluted in water. In this case, repeat the above steps and let the product act for 5 minutes.

In case of stubborn stains, before applying the appropriate stain remover, clean the surface by rubbing with a plastic brush and rinse with plenty of water.

Pay special attention to the logo so gently clean it as it could be damaged.