

PRODUCT DATA SHEET

CLEARWATER[®]

Interiors

PRODUCT CODE

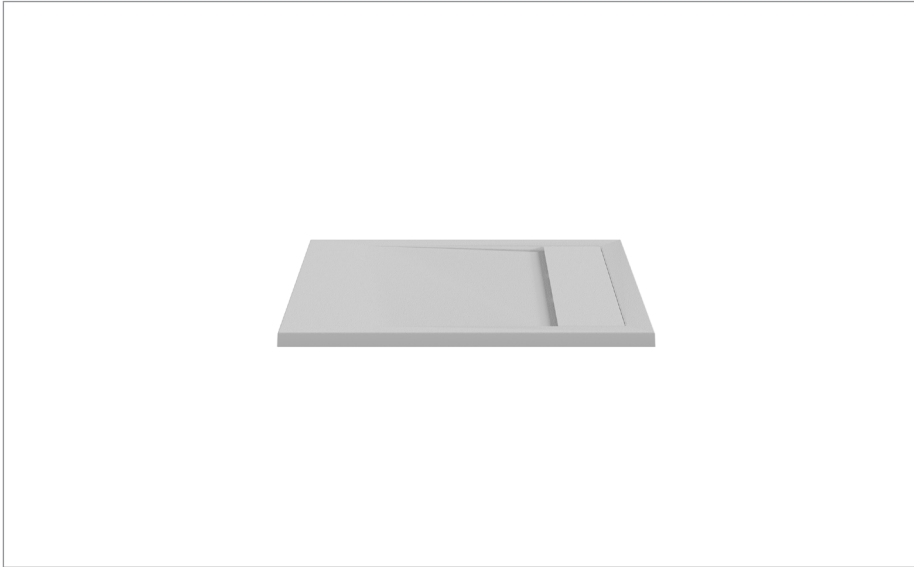
TKAL800X800W

RANGE

The Kalina

DESCRIPTION

The Kalina Shower Tray & Waste 800 x 800mm Stone Texture White



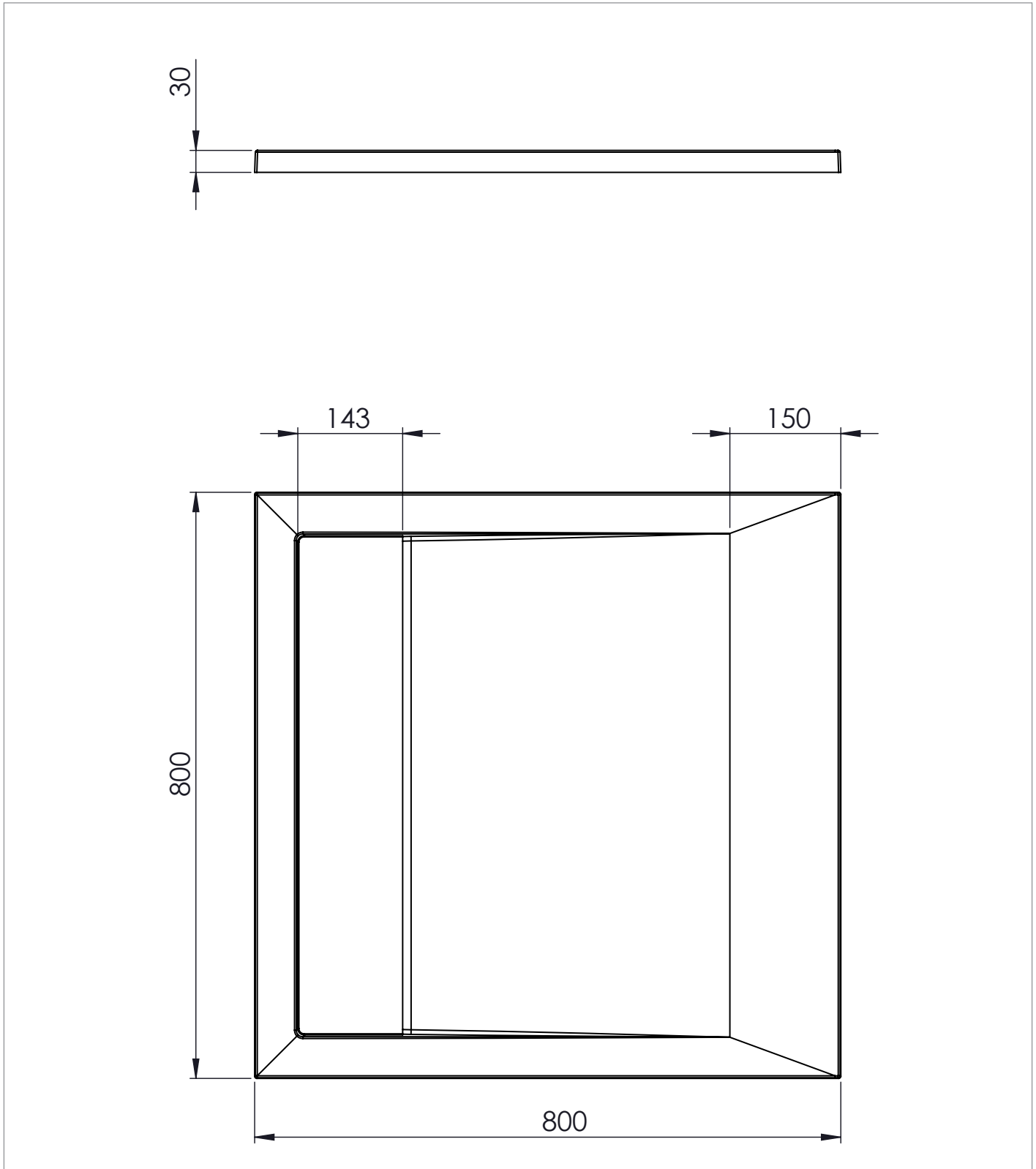
CATEGORY	Showering
WARRANTY DETAILS	Lifetime
COLOUR	White
FINISH APPLICATION	Gelcoat/Nanocoat
PRIMARY MATERIAL	Engineered Stone
SECONDARY MATERIAL	Stone Resin
INSTALL TYPE	Floor Mounted
PRODUCT WIDTH MM	800
PRODUCT HEIGHT MM	30
PRODUCT LENGTH MM	800
PRODUCT NET WEIGHT KG	33.04
STANDARDS	EN 14527,EN 251

WASTE INCLUDED	Yes
WASTE WATER FLOW RATE LPM	22
OUTER EDGE DIMENSION - TRAYS (MM)	30
WASTE LOCATION	End drain
ANTI-SLIP CLASS	C
WASTE SHAPE	Rectangular
DRYING AREA	Yes
RISER KIT COMPATIBLE	Yes
RISER KIT INCLUDED	No
TRAY PLANE TOLERANCE MM	3
TRAY WIDTH TOLERANCE MM	± 3
TRAY LENGTH TOLERANCE MM	± 3
TRAY HEIGHT TOLERANCE MM	± 2
TRAY WASTE HOLE TOLERANCE MM	+3-2

TECHNICAL DIMENSIONS

Dimensions in mm unless otherwise specified.

Tolerances (per material type) apply.



SPARES LIST

Only the parts labelled are available as spares.

SPARES AVAILABLE UPON REQUEST