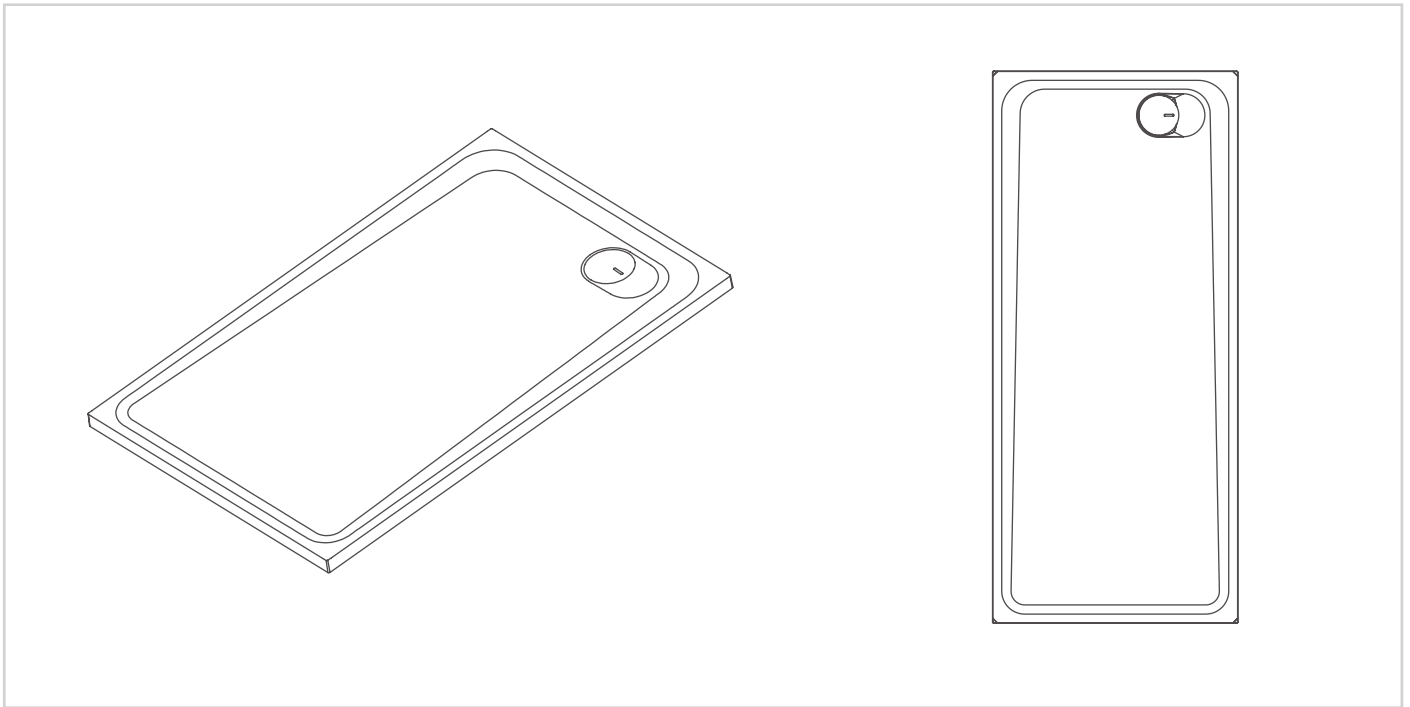


THE THALO

Solid Surface Shower Tray



IMPORTANT INFORMATION BEFORE YOU START

Please read carefully and keep this information for further reference.

Thank you for buying a Clearwater Product. To ensure that it works to its full potential, it needs to be fitted correctly. Check the contents of the pack carefully before installation.

Bathroom Brands will not be held responsible for any de-fit/ re-fit costs where faulty product has been fitted. If any fault is found with materials or workmanship, it must be reported immediately to the manufacturer. Remedial action will be taken, based on information received, on condition that:

1. Full details are supplied to the manufacturer.
2. The product has not been modified or tampered with;
3. The manufacturer is informed of any damage/shortages prior to installation.
4. The product has not been installed, or attempts have been made to install.

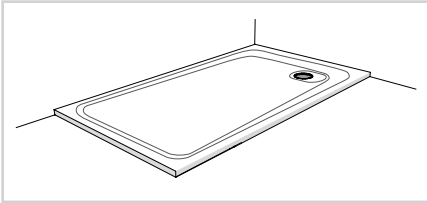
We do not accept responsibility for any problems that may occur through incorrect installation. This product should only be installed by a suitably qualified plumber/installer.

Should the installation be completed by a non-qualified person any product guarantee maybe considered invalid. For a claim made under our warranty, written certification of your installer's qualifications may be required.

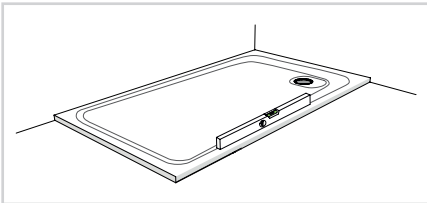
BEFORE YOU START

Important Pre-Installation Notes

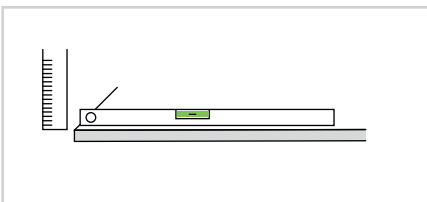
Check tray before beginning installation process. Check the tray tolerance before beginning the installation process, as below. Tolerance is measured on the top of the tray ONLY. Any variances on the base of the tray will be taken up by following the correct installation process.



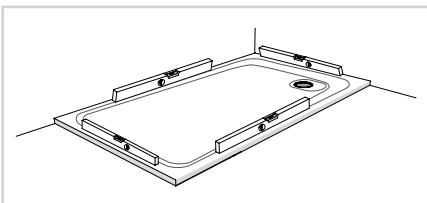
1. Place the tray on a flat level surface, larger than the tray.



2. Use a long spirit level placed on the edge of the tray.



3. Measure the gap between the spirit level and top of the tray. Do not push the spirit level down at the opposite end, this will give an incorrect measurement.



4. Repeat on all 4 edges.

BEFORE INSTALLATION:

Ensure the intended shower enclosure dimensions are compatible with the shower tray, taking into account the reduction in tray dimension that will result after tiles/wall panelling have been fitted.




Ensure the space available is correct for the shower tray purchased.


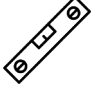

Tile or install wall coverings before fitting the tray. We recommend fitting wall covering down onto the tray.

Avoid positioning any high pressure water feeds directly over the waste, this may compromise waste capacity. Check the flow rate of intended power/deluge shower fittings does not exceed the flow rate capacity of the shower waste capacity.

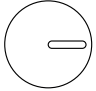
It is the installers responsibility to ensure the shower suite has been arranged to retain water as per the needs of the customer. The shower tray purchased is designed to be fitted directly to a wooden (Marine plywood and not floor boards) or concrete floor. Therefore, the plumbing services MUST BE fitted below the floor surface.

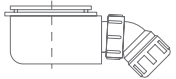
Tools Required (not supplied):

| | |
|---|---|
| Silicone and Adhesive PU (Polyurethane) |  |
| Measuring Tape |  |
| Screwdriver |  |

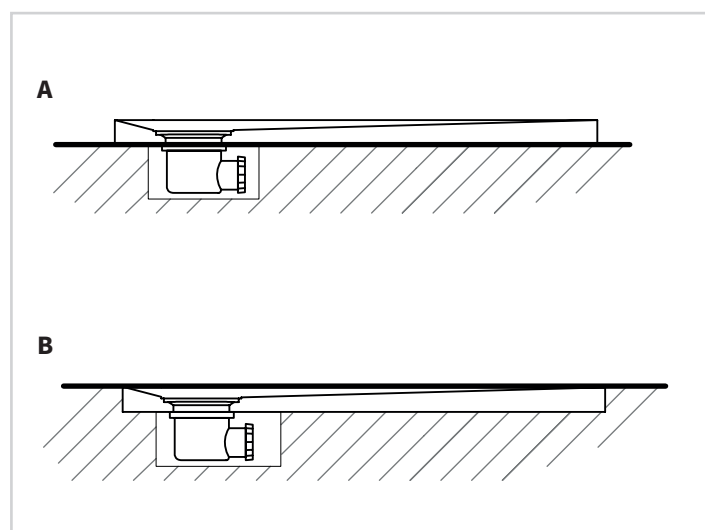
| | |
|----------------|---|
| Gloves |  |
| Spirit Level |  |
| Safety Glasses |  |

Component (supplied):

| | |
|-------|---|
| Cover |  |
|-------|---|

| | |
|-------------------------------|---|
| Drain Valve, MCALPINE D90 H80 |  |
|-------------------------------|---|

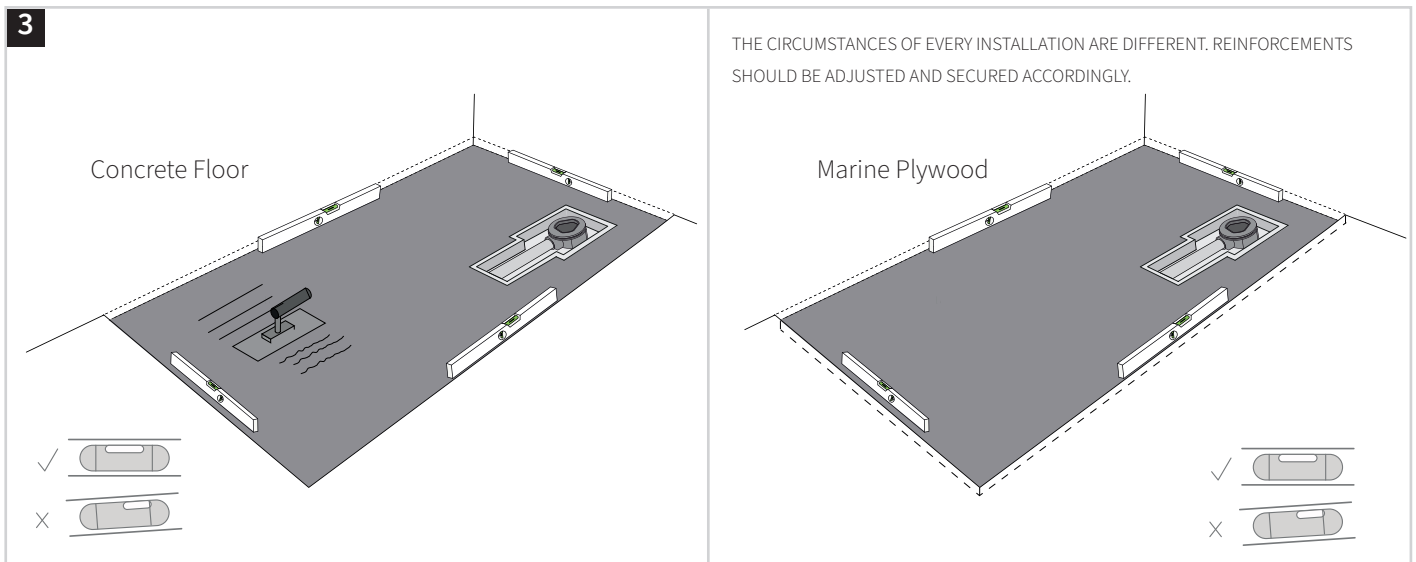
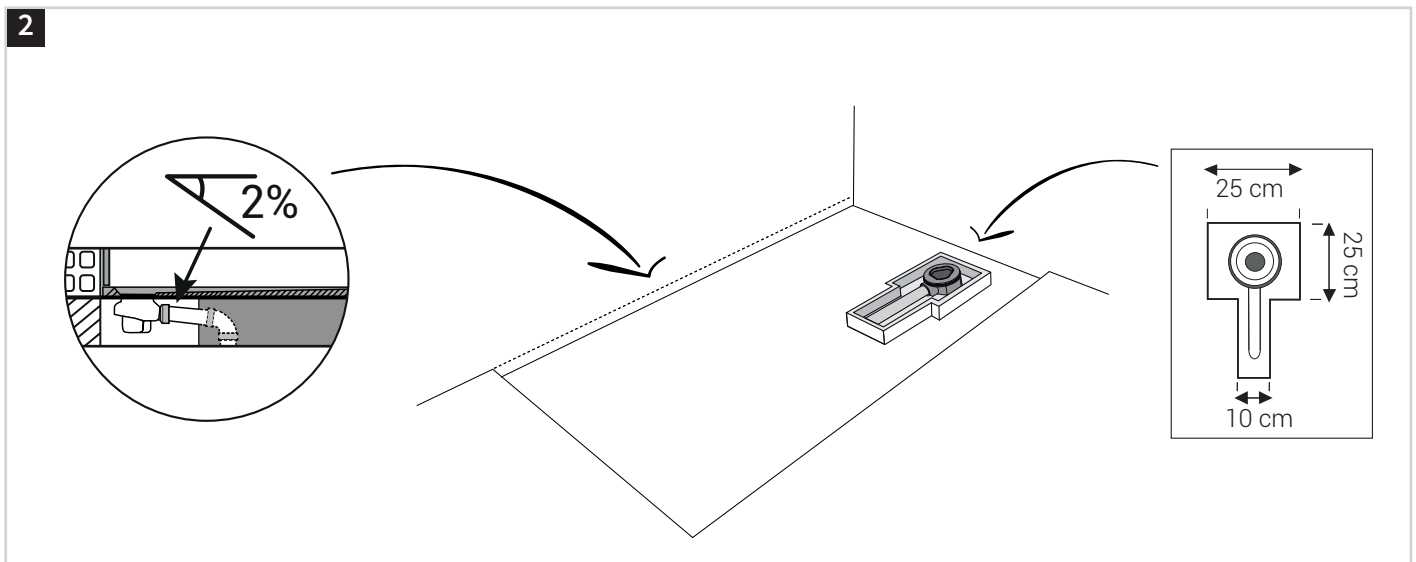
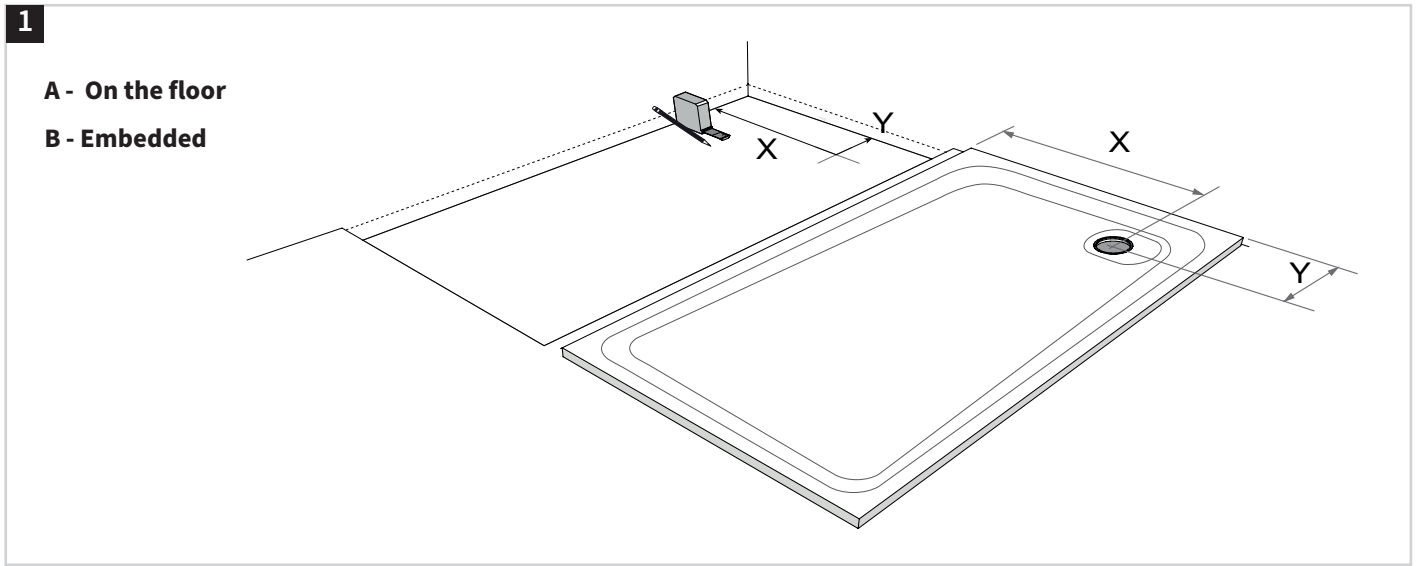
INSTALLATION



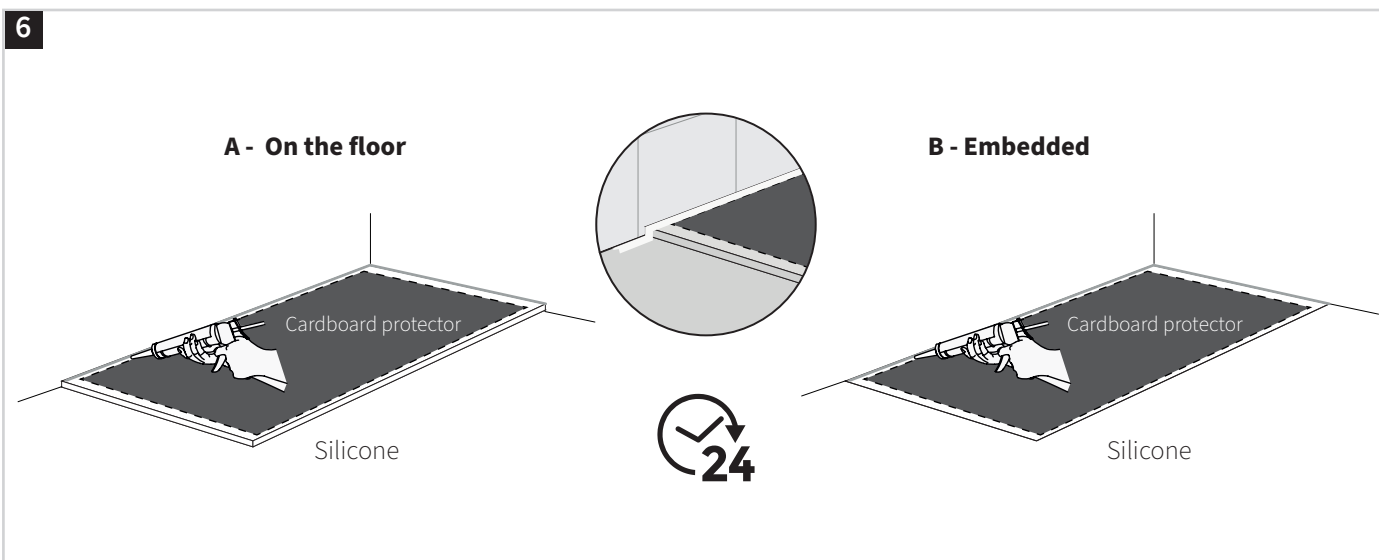
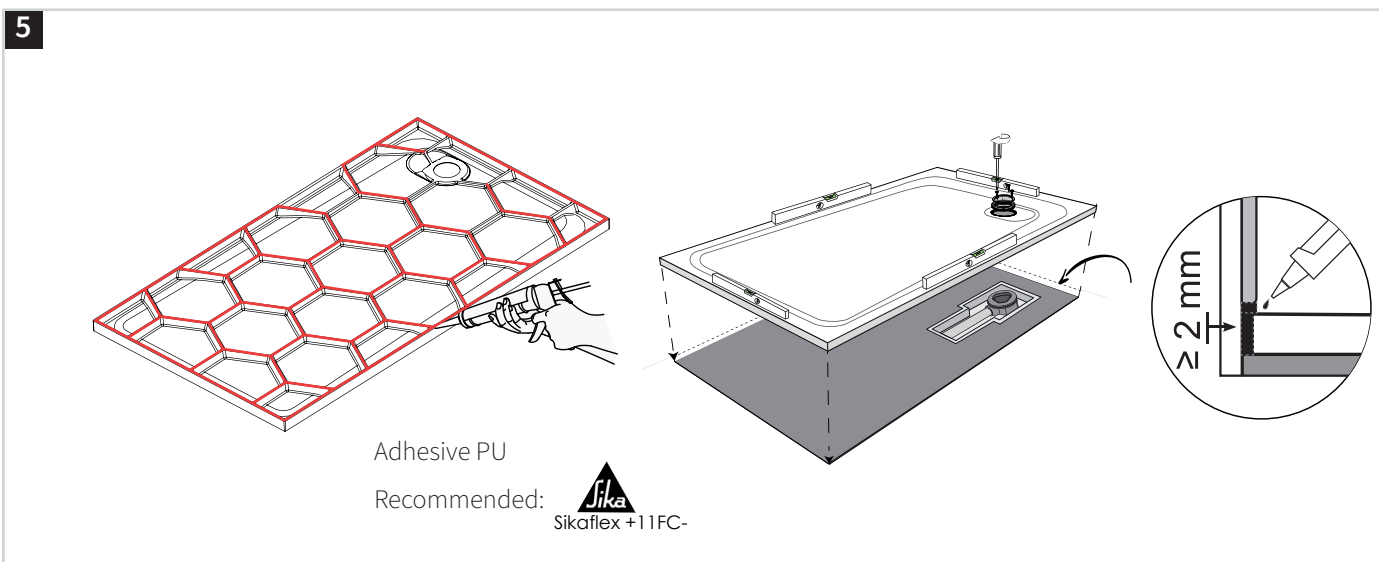
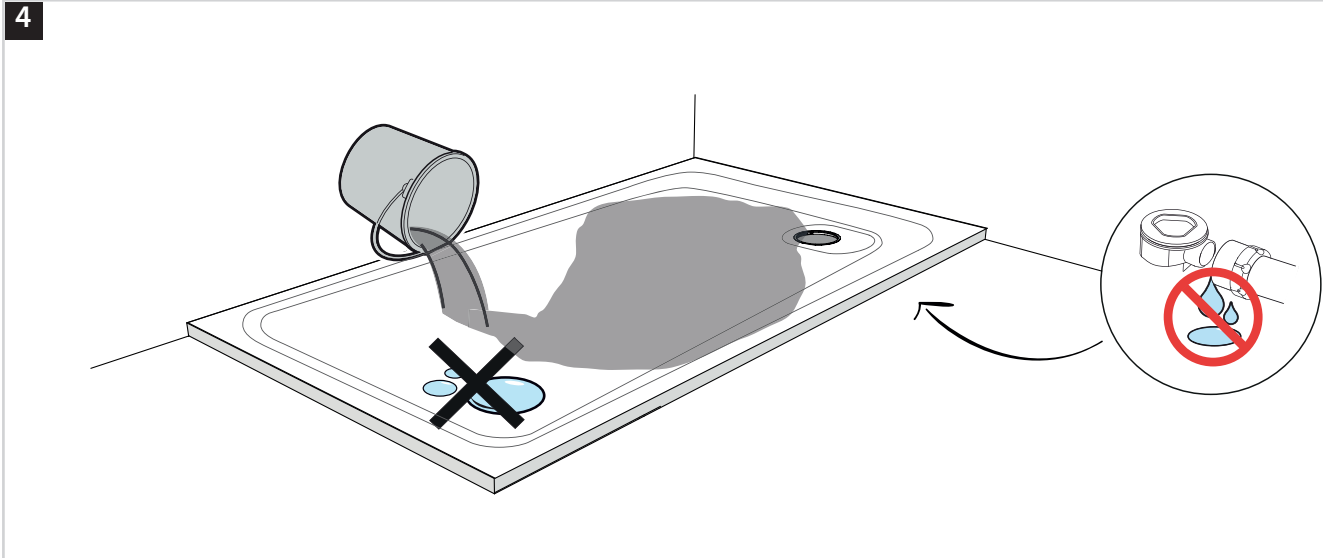
A - On the floor

B - Embedded

INSTALLATION A - ON THE FLOOR & B - EMBEDDED



INSTALLATION



CARE & MAINTENANCE

Pay special attention to the product installation as any cement or mortar residue may damage it. In order to remove them, use a specific cement cleaner. Avoid rubbing the surface directly to avoid scratching it.

After every use, clean with water and ensure a good ventilation of the bathroom. For the routine cleaning of the shower tray, use water, liquid cleaners and soft cloths or non-abrasive sponges. Never use scourers or abrasive substances as they can damage the surface of the shower tray. Don't mix different cleaning products.

Clean the shower tray using a damp cloth and a cleaning product specific to the type of stain (limescale, cement adhesive for tiles, grease, soap residue).

In order to remove limescale residues, use an antiscaling product following these steps:

1. - Remove the drainage grille and apply the antiscaling product with the help of a damp cloth over the entire surface of the shower tray.
2. - Leave the product to act for 15 minutes, then rinse thoroughly.
3. - Place the grille back and rinse the shower tray again.

If stains persist, after cleaning with soap and water, use cleaning vinegar diluted in water. In this case, repeat the above steps and let the product act for 5 minutes.

In case of stubborn stains, before applying the appropriate stain remover, clean the shower tray by rubbing with a plastic brush and rinse with plenty of water.

The grille should be regularly cleaned, therefore remove it and apply a stainless steel cleaning product.

If you use hair dye, rinse the shower tray with soap and water after every shower.

Pay special attention to the logo so gently clean it as it could be damaged.