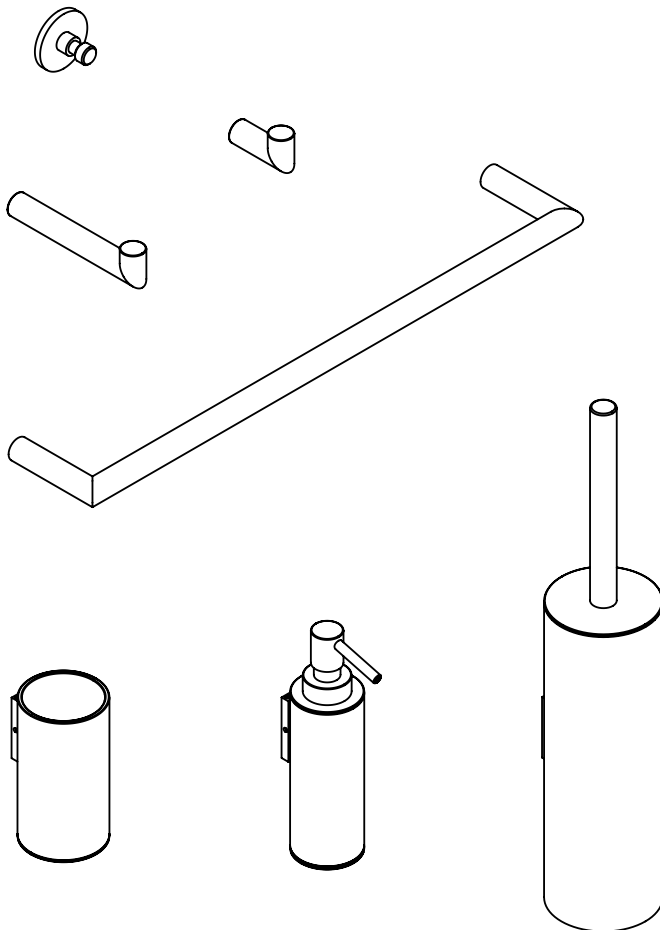


THE MIO

Accessories

PRODUCT CODES:

TMI001x
TMI003x
TMI011x
TMI023x
TMI021x
TMI025x
TMI029x



IMPORTANT INFORMATION BEFORE YOU START

Please read carefully and keep this information for further reference.

Thank you for buying a ClearWater Product. To ensure that it works to its full potential, it needs to be fitted correctly.

Check the contents of the pack carefully before installation. Crosswater will not be held responsible for any de-fit/re-fit costs where faulty product has been fitted. If any fault is found with materials or workmanship, it must be reported immediately to the manufacturer. Remedial action will be taken, based on information received, on condition that:

1. Full details are supplied to the manufacturer.
2. The product has not been modified or tampered with;

3. The manufacturer is informed of any damage/shortages prior to installation.

4. The product has not been installed, or attempts have been made to install.

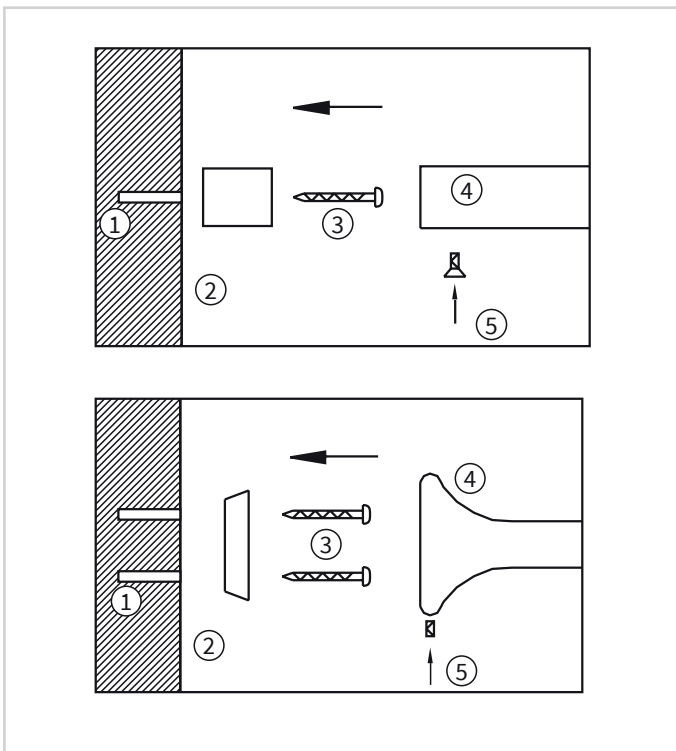
We do not accept responsibility for any problems that may occur through incorrect installation. This product should only be installed by a suitably qualified plumber/installer. Should the installation be completed by a non-qualified person any product guarantee maybe considered invalid. For a claim made under our warranty, written certification of your installer's qualifications may be required.



IMPORTANT INFORMATION

Please check for any hidden pipes or electrical cables before drilling holes in the floor or walls. When using power tools always follow the manufacturer's user instructions. This installation guide details fitting to a solid wall. If your bathroom has studded/plasterboard walls, please use appropriate plasterboard fixings. Make sure that the wall can take the weight of the products before undertaking the installation.

INSTALLATION



Corresponding to the hole of the small plate (2), drill and put into the wall the screw wall plug (1). Then with the screw (3) fasten the small plate on the wall.

Place the bracket (4) of the item onto the small plate and tighten grub screw (5) with the allen key supplied.

Corresponding to the two holes of the small plate (2), drill and put into the wall the screw wall plug (1). Then with the two screws (3) fasten the small plate on the wall.

Place the bracket (4) of the item onto the small plate and tighten grub screw (5) with the allen key supplied.

CARE & MAINTENANCE

The material we use in our accessories is very durable, nevertheless care should be taken when cleaning them. They should be cleaned only with warm soapy water followed by rinsing with clean water and drying with a soft cloth. All finishes are vulnerable to acid attack and some strong substances such as household cleaners, disinfectants, denture cleaners, hair dyes, wine making, and photographic chemicals can cause the surface to go black or peel.

Never use abrasive detergents or disinfectants or those containing alcohol, hydrochloric acid or phosphoric acid.