

PRODUCT DATA SHEET

CLEARWATER[®]

Interiors

PRODUCT CODE

TAR6105WM

RANGE

The Arbor

DESCRIPTION

The Arbor Soft Close Seat White Matt

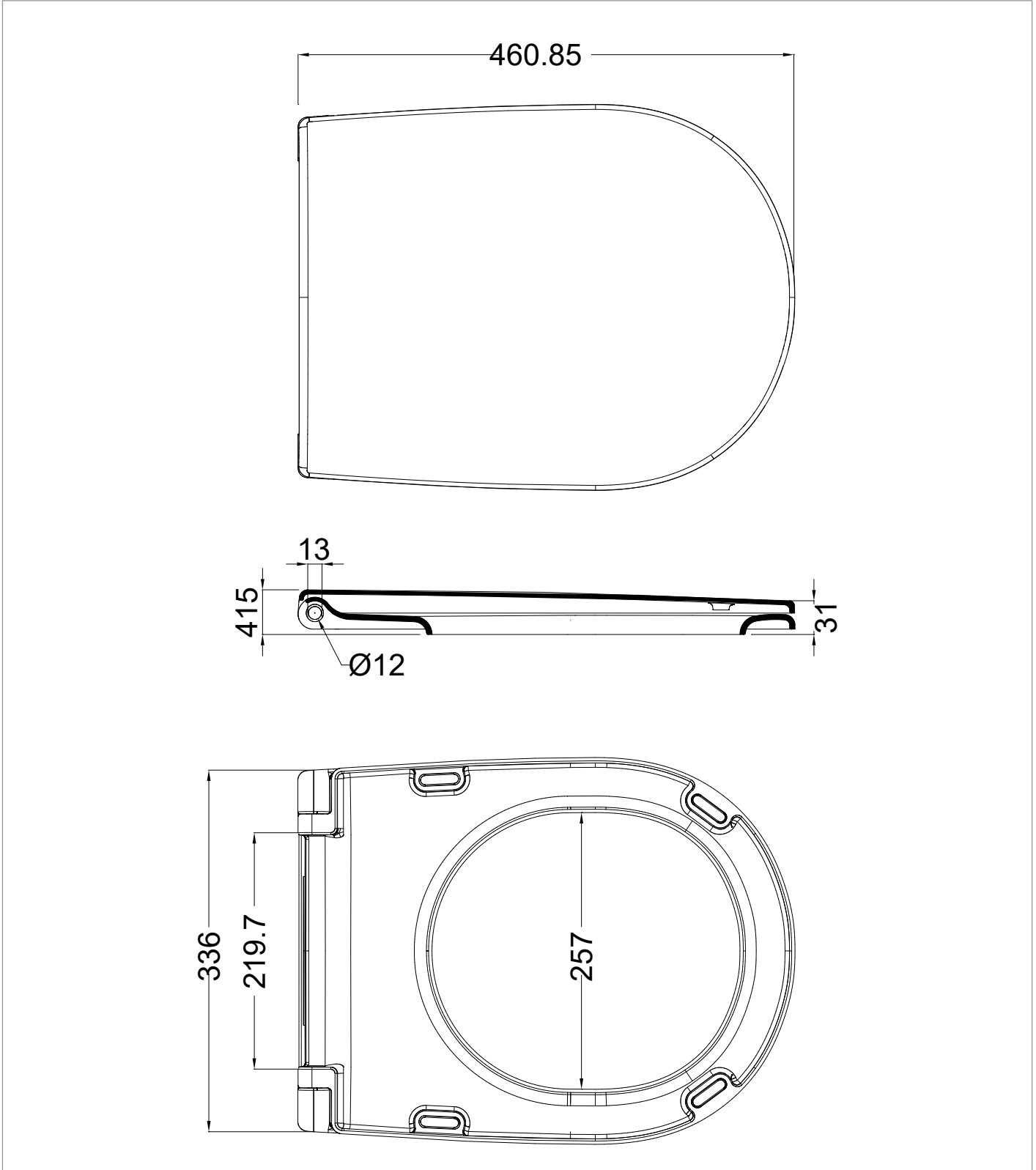


CATEGORY	Sanitaryware
WARRANTY DETAILS	2 Years
COLOUR	Matt White
FINISH APPLICATION	Glazed
PRIMARY MATERIAL	Urea
PRODUCT WIDTH MM	350
PRODUCT HEIGHT MM	40
PRODUCT DEPTH MM	430
PRODUCT NET WEIGHT KG	3

TECHNICAL DIMENSIONS

Dimensions in mm unless otherwise specified.

Tolerances (per material type) apply.



SPARES LIST

Only the parts labelled are available as spares.

SPARES AVAILABLE UPON REQUEST