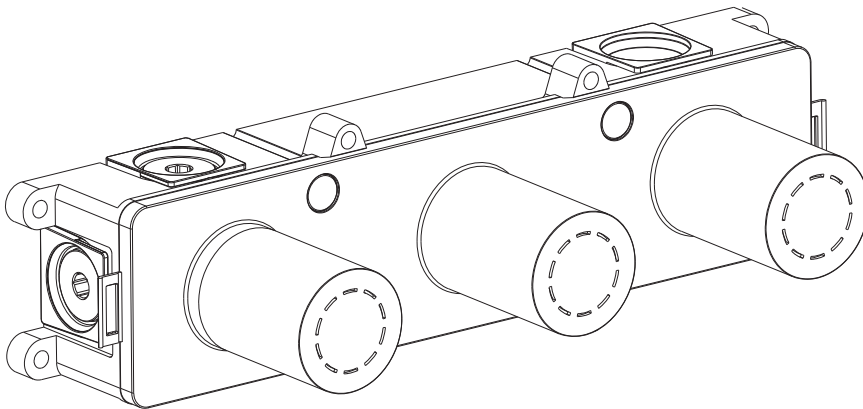


ROUGH

Bath 3 Hole

PRODUCT CODES:

CLB350ROUGH



COMPATIBLE WITH:

THU431TRIMW
TIX431TRIMW
TIX431TRIMF
TVA431TRIMW
THU431WM
TVA431TRIMW



IMPORTANT INFORMATION BEFORE YOU START

Please read carefully and keep this information for further reference.

All products manufactured and supplied by ClearWater are safe provided they are installed, used correctly and receive regular maintenance in accordance with these instructions. If you are in any doubt about your ability to install this product safely you must employ the services of an experienced qualified plumber.

These fittings need to be installed in accordance with, and meet the requirements of the Water Supply (Water Fittings) Regulations 1999 and Scottish Byelaws 2004.

Operating pressure range 1.0 - 5.0 bar.

Maximum static pressure: 10.0 bar.

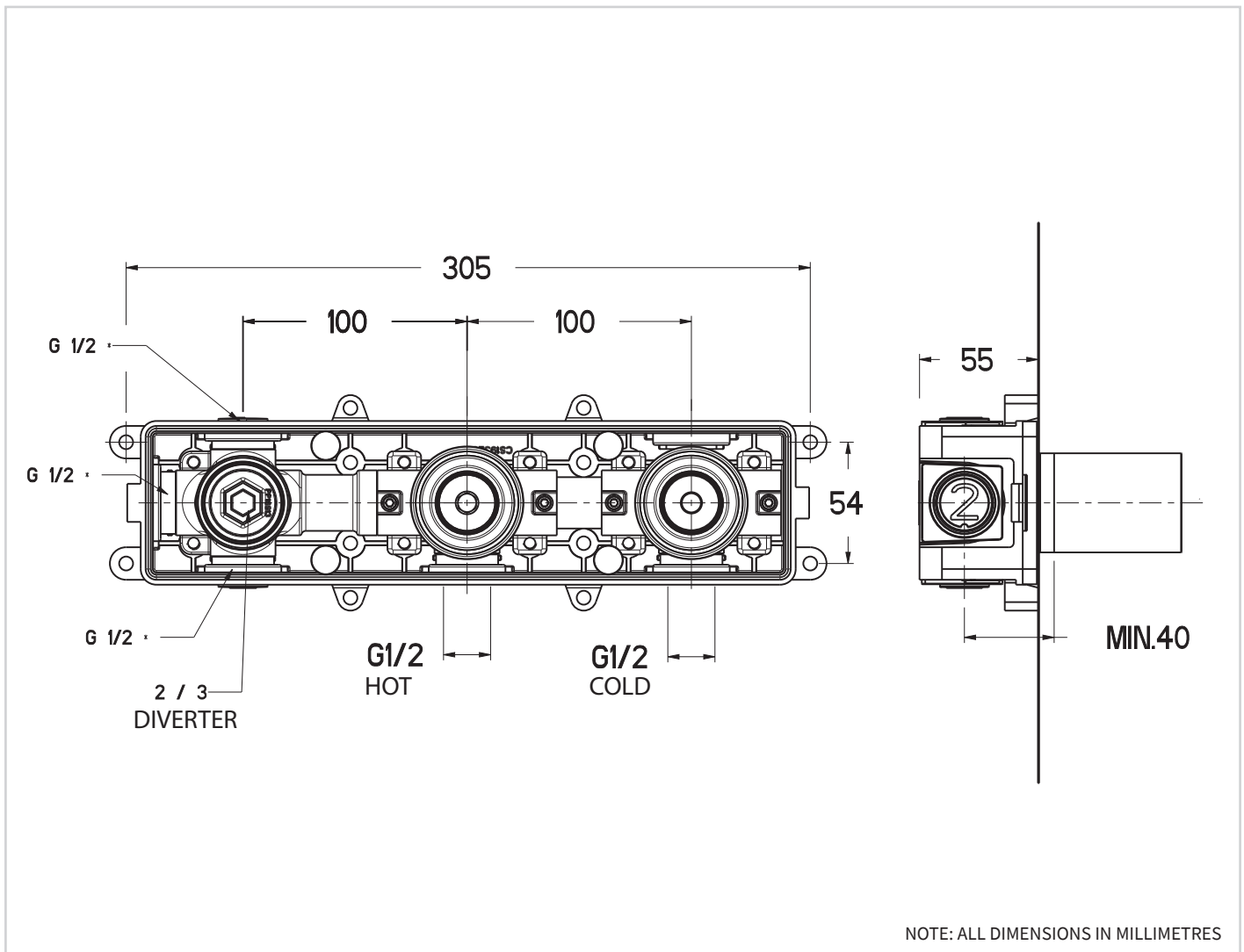
Note: Nominally equal (balanced) inlet supply pressures are recommended for optimum performance with mixer taps.

Designed to comply with BS EN 200 for single taps / combination taps and BS EN 817 for single lever mixers, for water systems of type 1 and 2 general technical specifications and to be used within systems designed to BS 6700. BS 6700 recommends the temperature of stored water should never exceed 65°C.

A stored water temperature of 60°C is considered sufficient to meet all normal requirements and will minimise the build up of lime scale in hard water areas.

If the fitting is installed at low pressure (tank fed), then the minimum distance from the highest installed position of the outlet to the underside of the cold tank should be at least 2 metres to ensure adequate performance.

DIMENSIONS



IMPORTANT INFORMATION

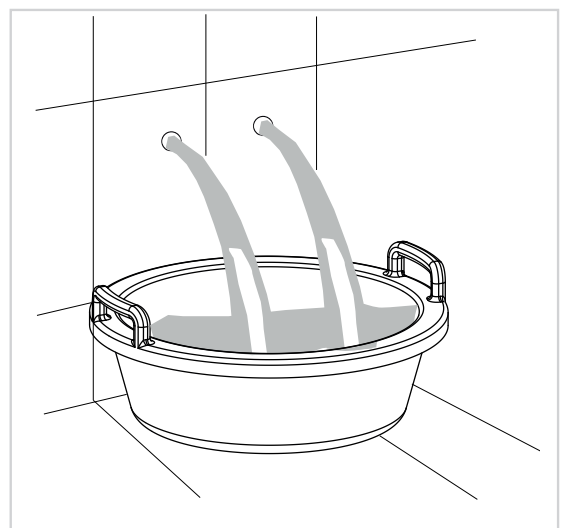
Please read carefully and keep this information for further reference.

These taps and mixers should be installed in compliance with the Water Regulations.

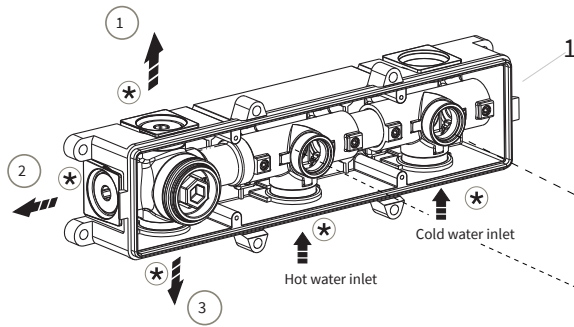
Where the supplies are unbalanced, i.e. Hot water from cylinder tank / cold from the mains, approved check valves must be fitted in the supply pipes.

For further details contact your Local Water Authority.

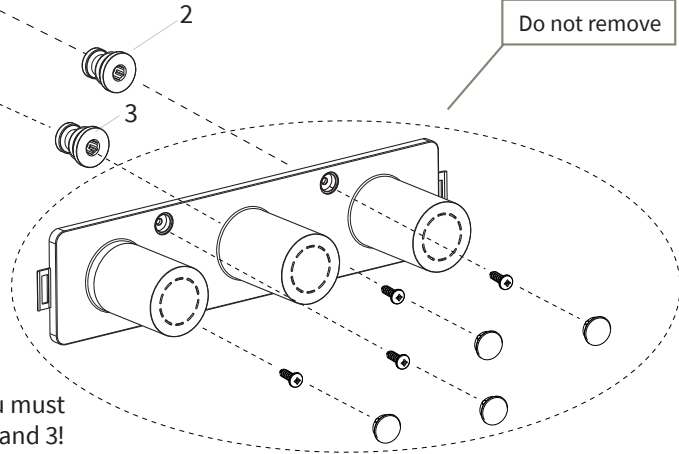
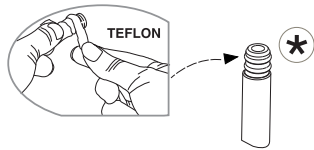
Before connecting to mains, bleed the pipes to avoid damage.



INSTALLATION

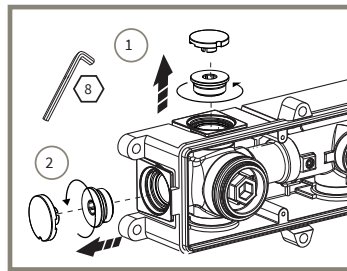


The shower bath mixer has pre-assembled plugs (2&3) that allow the flow of the cold water to flush out the pipeworks (to flush the hot water pipe, fit the plugs in the reverse way) and allow the system to be tested for water tightness up to the connected outlets; use the cold water inlet to test the system, and re-fit the plugs 2 and 3 as per original standard version. Remove the plugs only to finish the installation of the external parts.

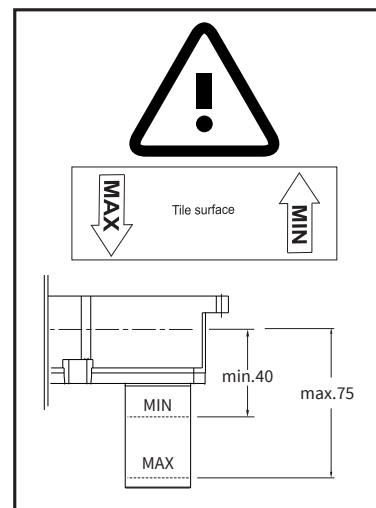
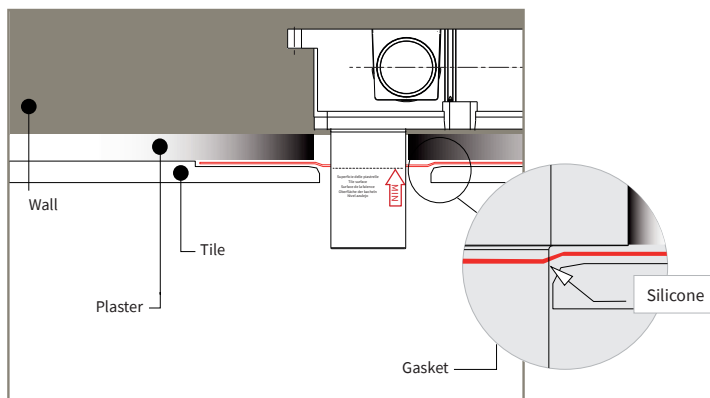
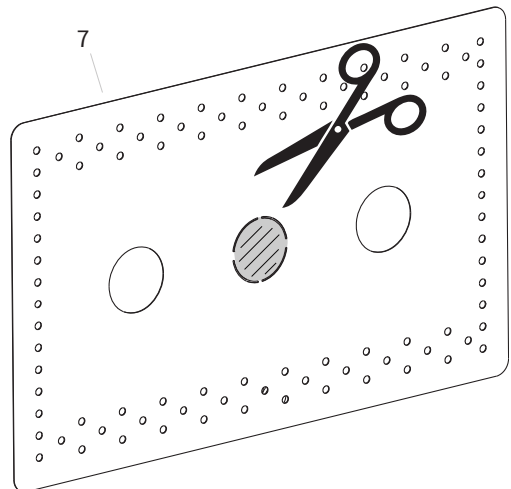
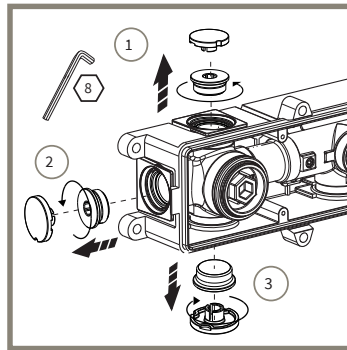


When plumbing in, for two outlets you must use outlets 1 and 2 only. NOT outlet 1 and 3!

1 2
Connection for 2 outputs



1 2 3
Connection for 3 outputs



CARE & MAINTENANCE

The material we use in our brassware is very durable, nevertheless care should be taken when cleaning them. They should be cleaned only with warm soapy water followed by rinsing with clean water and drying with a soft cloth. All finishes are vulnerable to acid attack and some strong substances such as household cleaners, disinfectants, denture cleaners, hair dyes, wine making, and photographic chemicals can cause the surface to go black or peel.

Note: Never use abrasive detergents or disinfectants or those containing alcohol, hydrochloric acid or phosphoric acid.