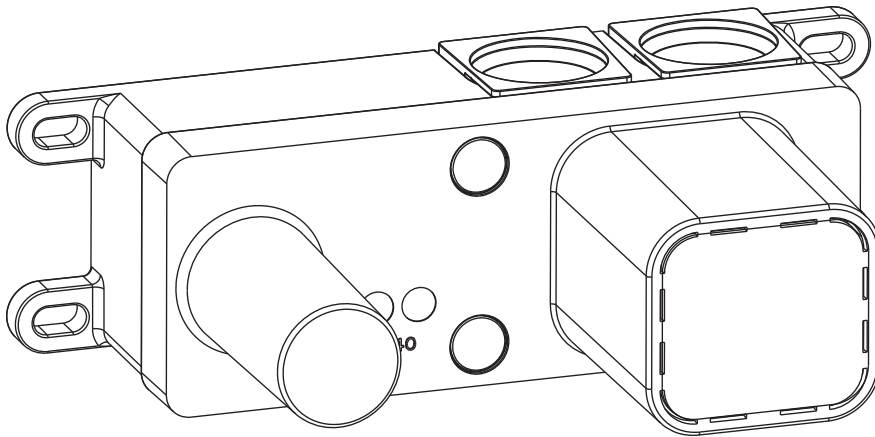


ROUGH

2H Wall Mounted Basin Set Rough

PRODUCT CODES:

CLB120ROUGH



COMPATIBLE WITH:

THU120TRIM
TMR120TRIM
TIX120TRIMS
TVA120TRIM
THU120WN
TMR120WN



IMPORTANT INFORMATION BEFORE YOU START

Please read carefully and keep this information for further reference.

All products manufactured and supplied by ClearWater are safe provided they are installed, used correctly and receive regular maintenance in accordance with these instructions. If you are in any doubt about your ability to install this product safely you must employ the services of an experienced qualified plumber.

These fittings need to be installed in accordance with, and meet the requirements of the Water Supply (Water Fittings) Regulations 1999 and Scottish Byelaws 2004.

Operating pressure range 1.0 - 5.0 bar.

Maximum static pressure: 10.0 bar.

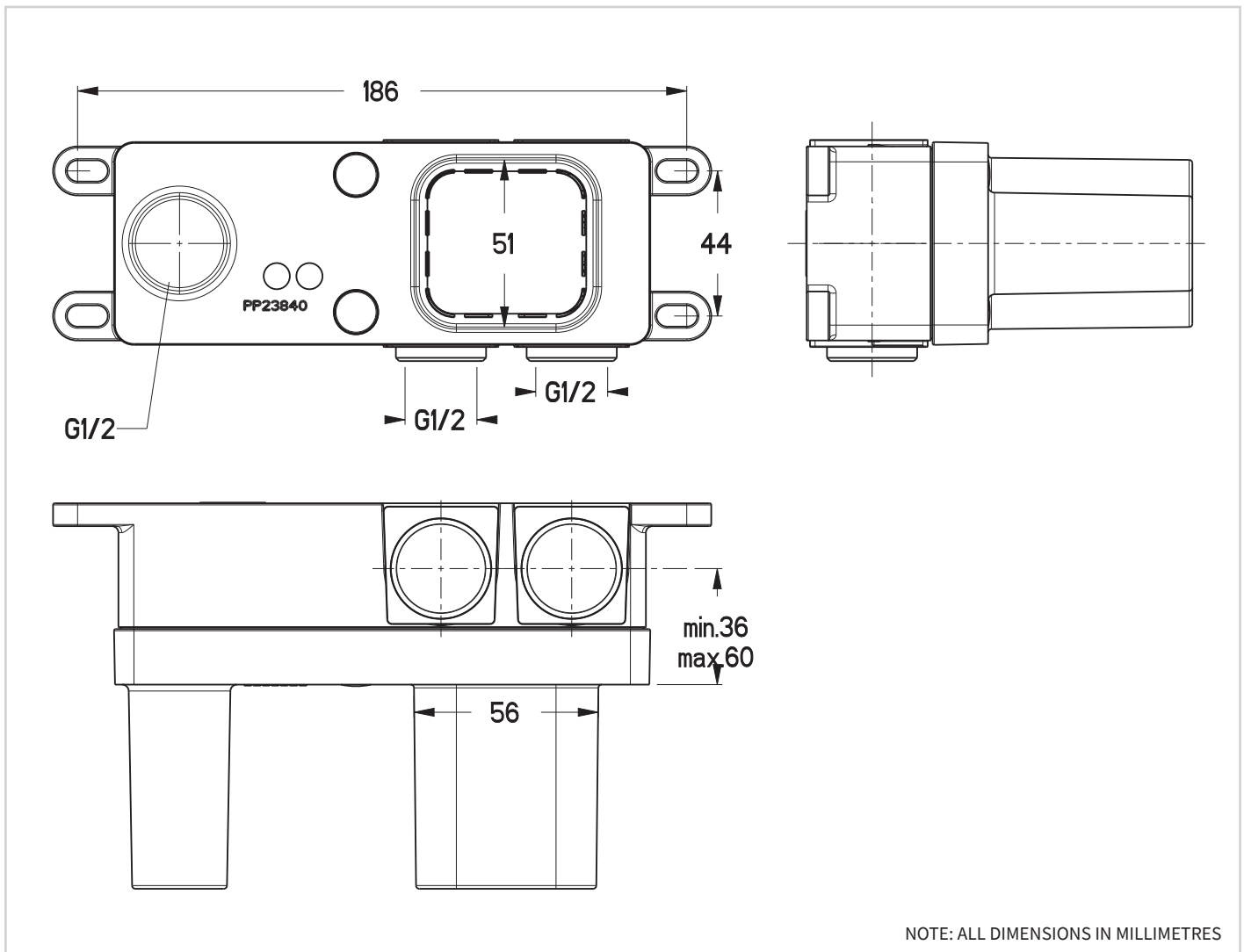
Note: Nominally equal (balanced) inlet supply pressures are recommended for optimum performance with mixer taps.

Designed to comply with BS EN 200 for single taps / combination taps and BS EN 817 for single lever mixers, for water systems of type 1 and 2 general technical specifications and to be used within systems designed to BS 6700. BS 6700 recommends the temperature of stored water should never exceed 65°C.

A stored water temperature of 60°C is considered sufficient to meet all normal requirements and will minimise the build up of lime scale in hard water areas.

If the fitting is installed at low pressure (tank fed), then the minimum distance from the highest installed position of the outlet to the underside of the cold tank should be at least 2 metres to ensure adequate performance.

DIMENSIONS



IMPORTANT INFORMATION

Please read carefully and keep this information for further reference.

These taps and mixers should be installed in compliance with the Water Regulations.

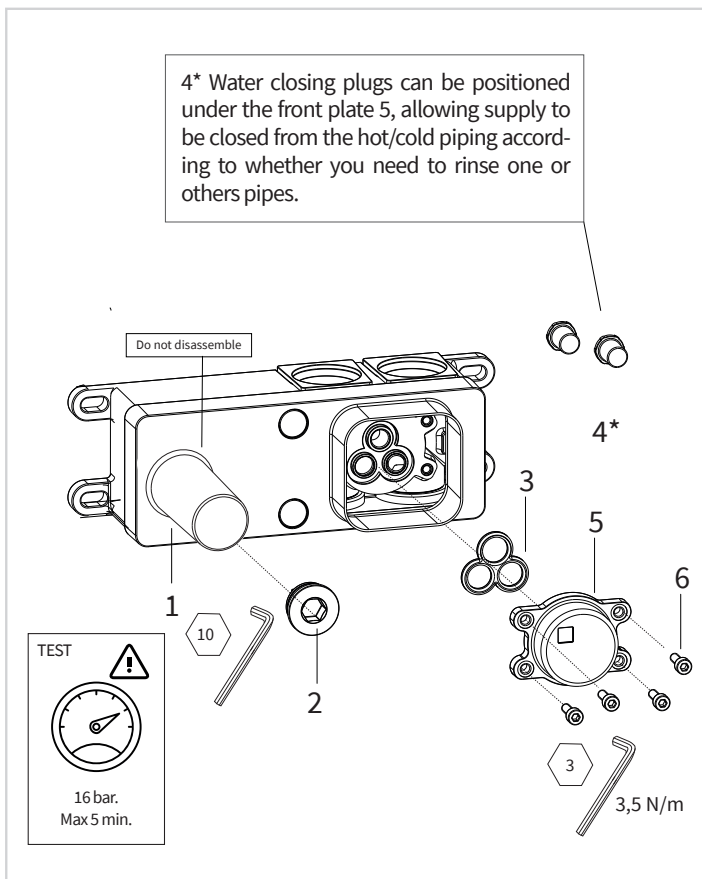
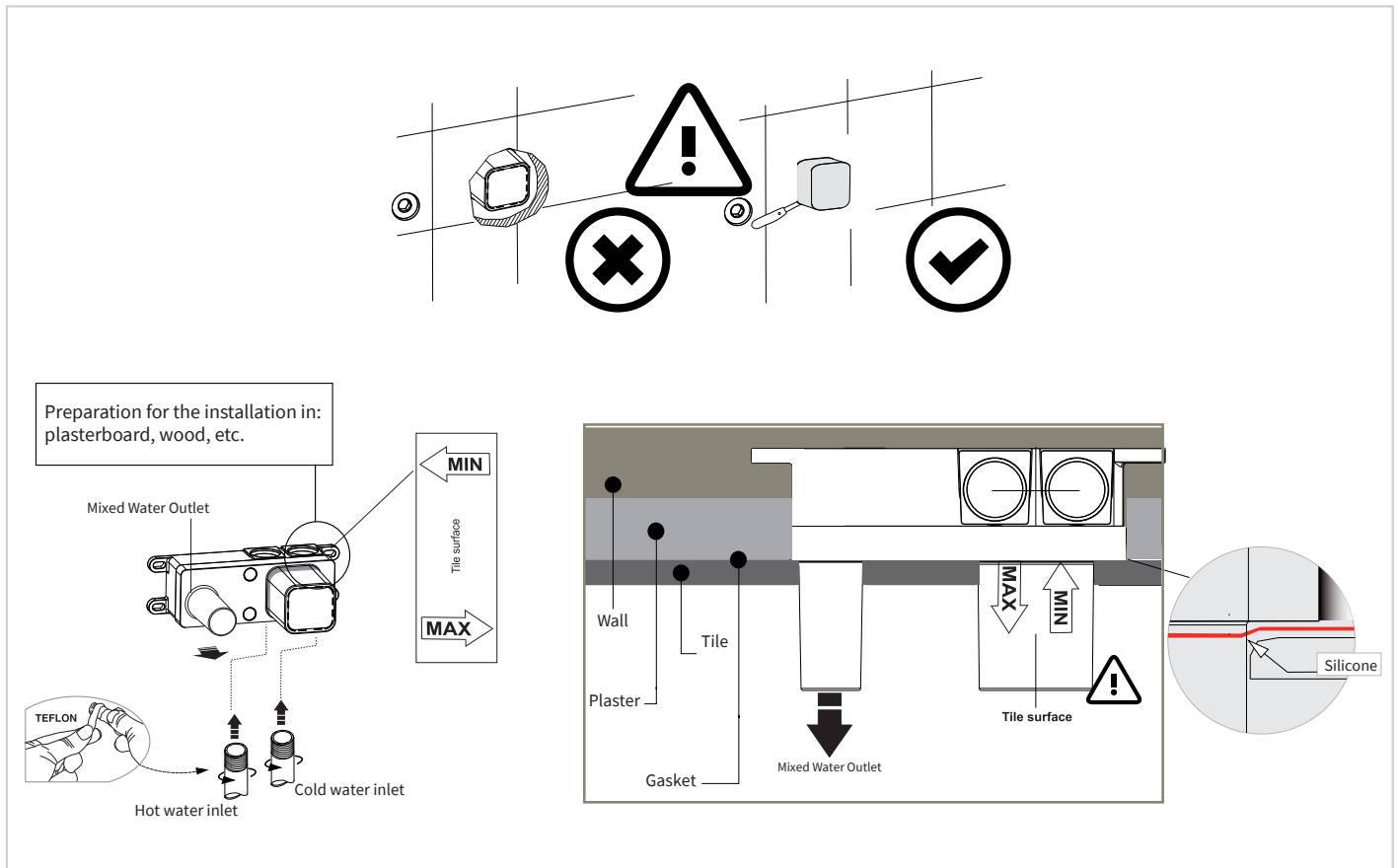
Where the supplies are unbalanced, i.e. Hot water from cylinder tank / cold from the mains, approved check valves must be fitted in the supply pipes.

For further details contact your Local Water Authority.

Before connecting to mains, bleed the pipes to avoid damage.



INSTALLATION



Suggestions for flushing out and water tightness installation test

1 - The concealed basin mixer is supplied with a plastic plate at the front (5) to enable the water to pass through and flush out the pipeworks .

2 - Maximum test pressure : 16 bar. Max 5 min.

3 - Dismantle plug 2 to have it flow out and then replace after rinsing, ensuring the plug is correctly sealed and there are no leaks.

Before assembling the outdoor set, always ensure perfect conditions and positions of the gasket in the shape of the built-in body - cartridge body seal shape.



After the system test, if you do not want to complete the installation with the external parts, it is not recommended to leave the system under pressure with only the cap applied (5). If it is necessary to maintain the system under pressure, it is MANDATORY to position the two caps (4*) as shown in the figure, in the two seats.

CARE & MAINTENANCE

CLEANING THE PRODUCT

The material we use in our brassware is very durable, nevertheless care should be taken when cleaning them. They should be cleaned only with warm soapy water followed by rinsing with clean water and drying with a soft cloth. All finishes are vulnerable to acid attack and some strong substances such as household cleaners, disinfectants, denture cleaners, hair dyes, wine making, and photographic chemicals can cause the surface to go black or peel.

Note: Never use abrasive detergents or disinfectants or those containing alcohol, hydrochloric acid or phosphoric acid.